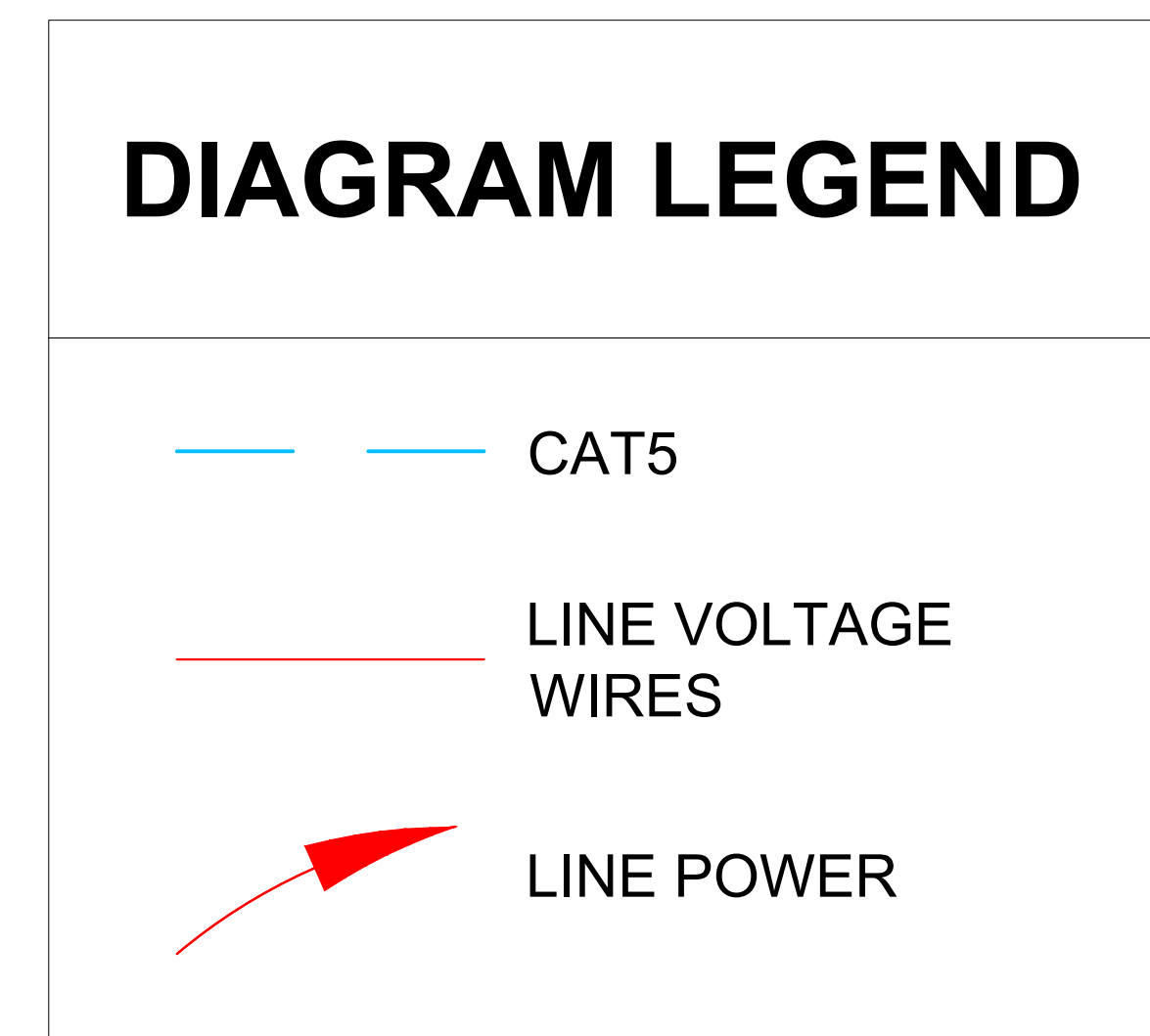
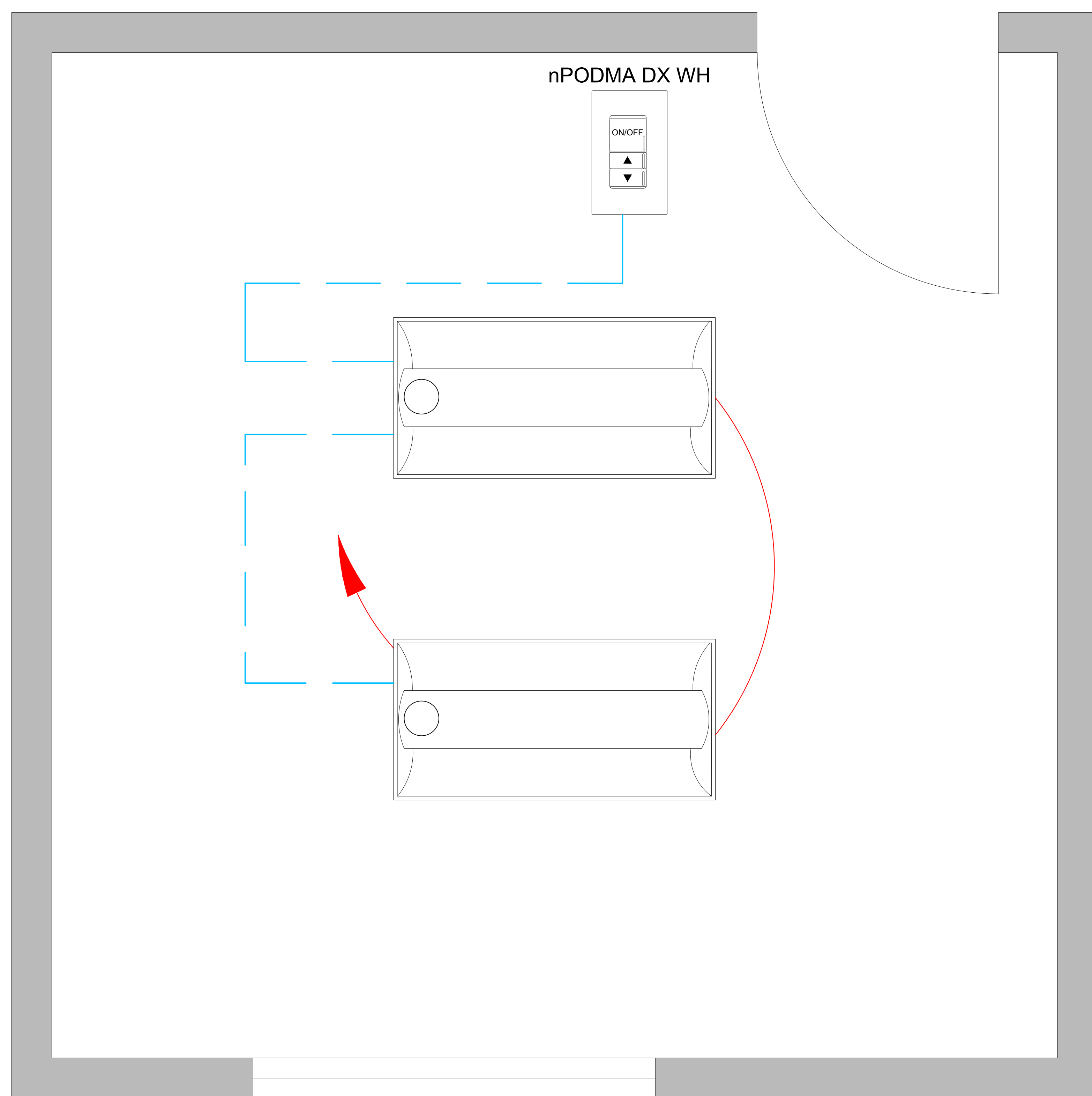


nLIGHT:
SMALL OFFICE - nLIGHT ENABLED



SUPPORTS THE FOLLOWING REQUIREMENTS:

- ✔ OCCUPANT SENSOR CONTROLS, (C405.2.1)
- ✔ TIME-SWITCH CONTROLS, (C405.2.2)
- ✔ DAYLIGHT-RESPONSIVE CONTROLS, (C405.2.3)
- ✔ SPECIFIC APPLICATION CONTROLS, (C405.2.4)
- ✔ MANUAL CONTROLS, (C405.2.5)
- ✔ ENHANCED DIGITAL LIGHTING CONTROLS, (C406.4)

SEE HILA BASIS OF DESIGN TO COMPLY WITH IECC 2018 SECTION C405