

nLIGHT: CONFERENCE - POWERPACKS

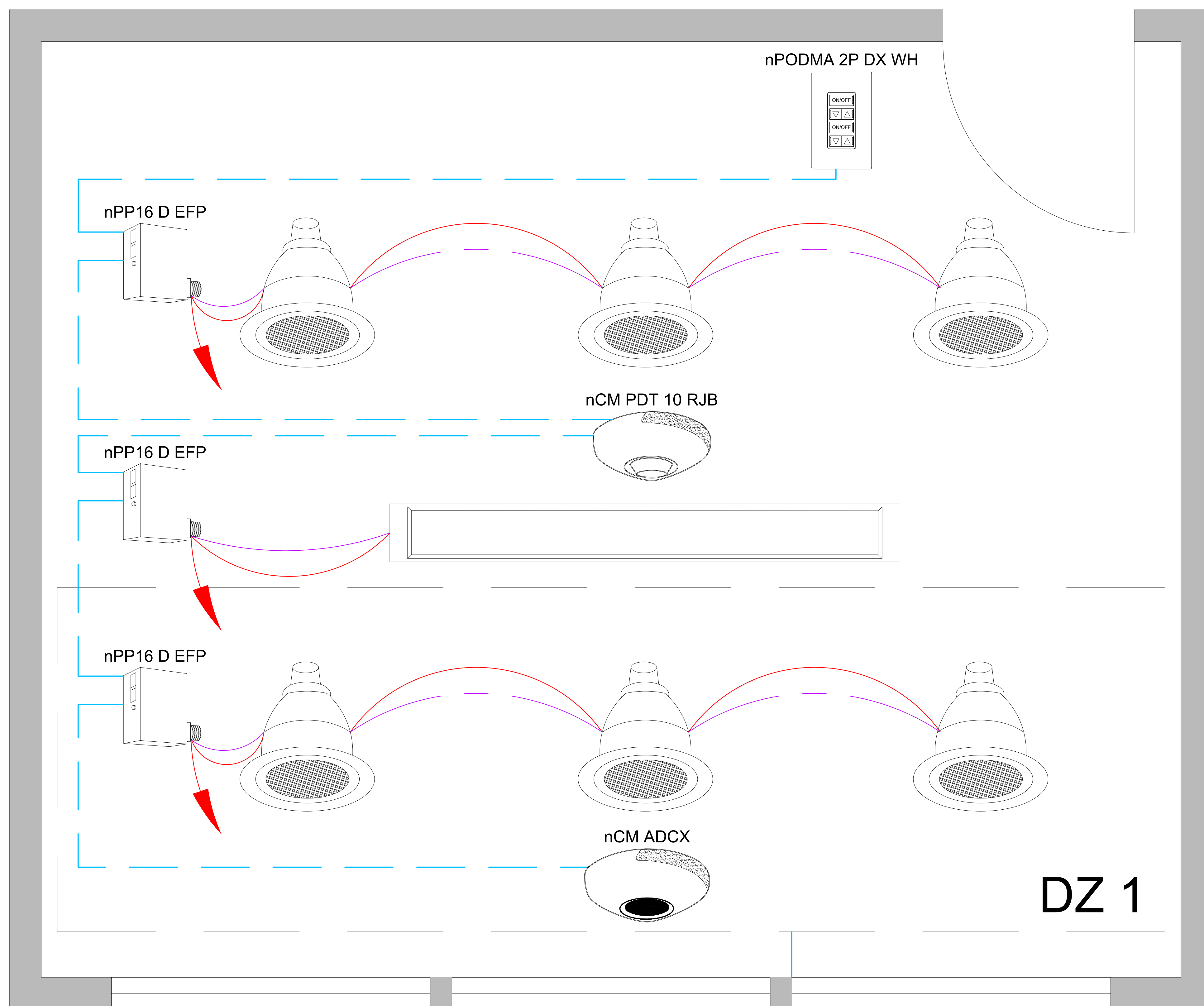
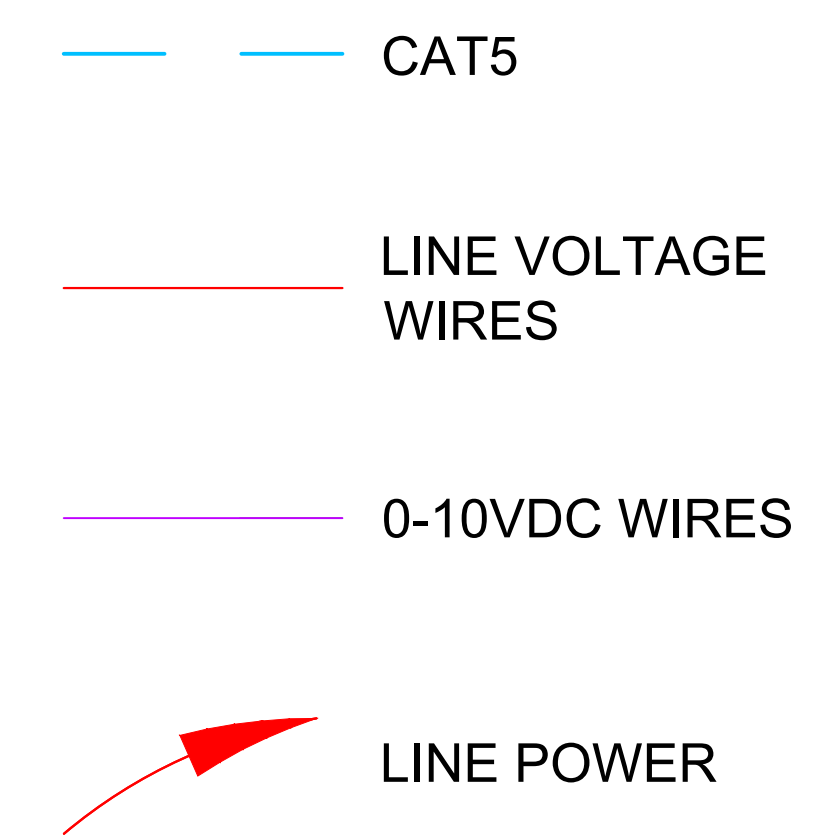






DIAGRAM LEGEND



SUPPORTS THE FOLLOWING REQUIREMENTS:

-  OCCUPANT SENSOR CONTROLS, (C405.2.1)
-  TIME-SWITCH CONTROLS, (C405.2.2)
-  DAYLIGHT-RESPONSIVE CONTROLS, (C405.2.3)
-  SPECIFIC APPLICATION CONTROLS, (C405.2.4)
-  MANUAL CONTROLS, (C405.2.5)
-  ENHANCED DIGITAL LIGHTING CONTROLS, (C406.4)

SEE HILA BASIS OF DESIGN TO COMPLY WITH IECC 2018 SECTION C405