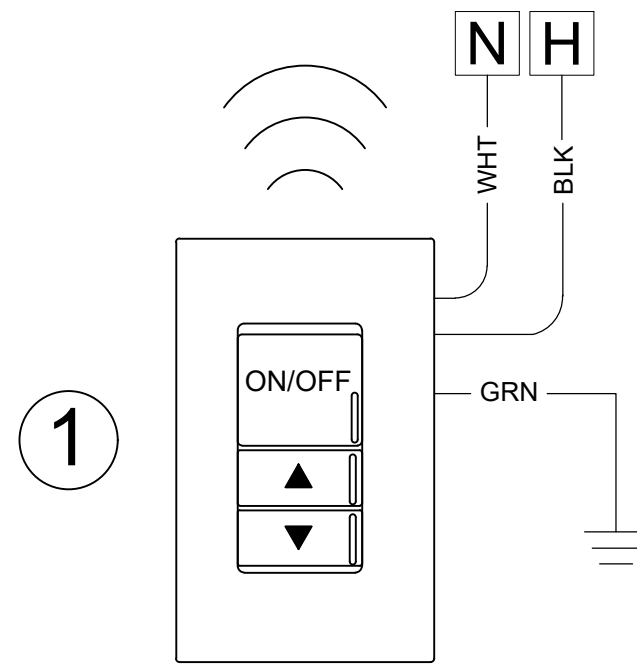
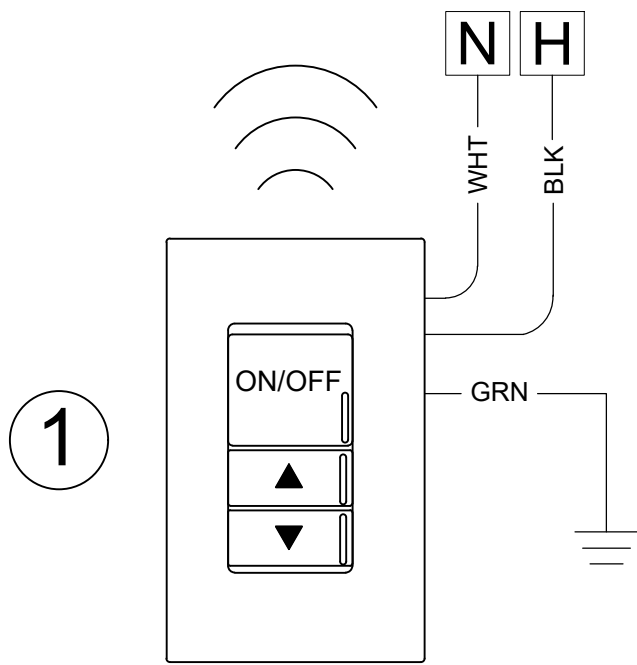
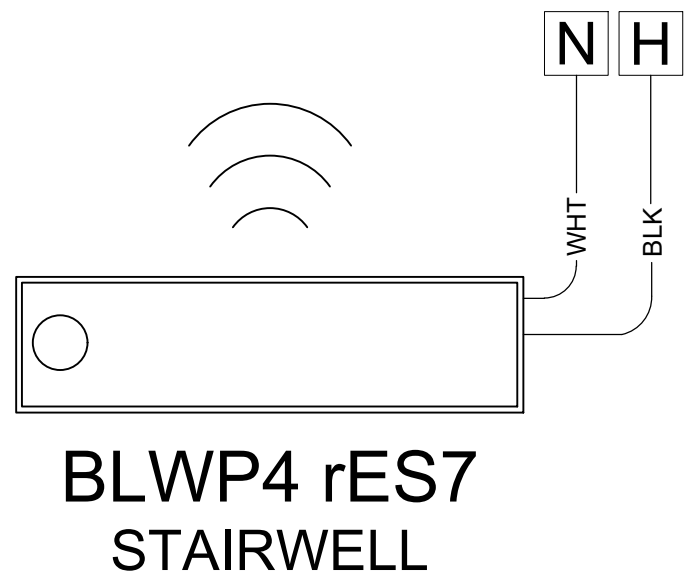
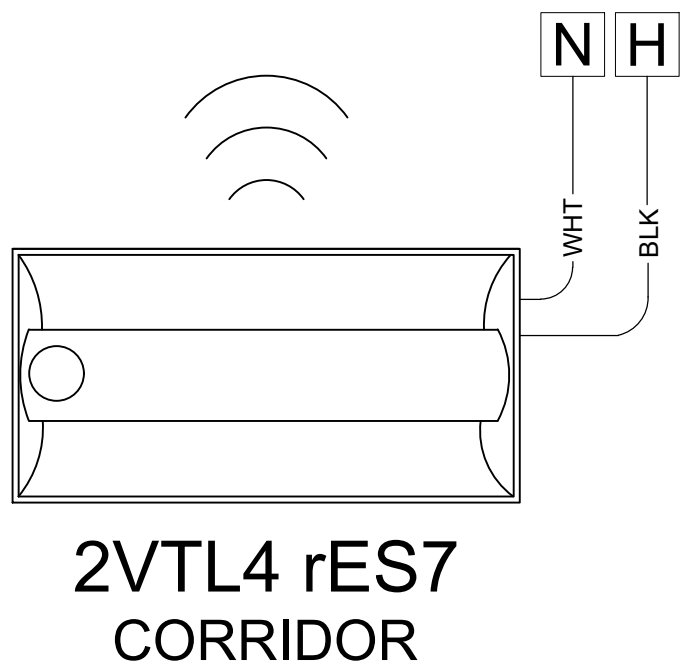


nLIGHT AIR: CORRIDOR/STAIRWELL- AIR ENABLED FIXTURES



SEE HILA BASIS OF DESIGN TO COMPLY WITH IECC 2018 SECTION C405

BILL OF MATERIAL		
QTY	PRODUCT #	DESCRIPTION
TBD	2VTL4 xxL ADPT EZ1 LPxxx NLTAIR2 RES7	INTEGRAL FIXTURE EMBEDDED COMBO STANDARD RANGE 360° SENSOR WITH DAYLIGHTING, PIR; WIRELESS COMMUNICATION
TBD	BLWP4 xxL ADPT EZ1 LPxxx NLTAIR2 RES7	INTEGRAL FIXTURE EMBEDDED COMBO STANDARD RANGE 360° SENSOR WITH DAYLIGHTING, PIR; WIRELESS COMMUNICATION
2	rPODLA DX MVOLT WH G2	1 CHANNEL ON/OFF TOGGLE WITH DIMMING, LINE POWERED; WIRELESS COMMUNICATION



① TO PREVENT ACCESS BY UNAUTHORIZED PERSONNEL, USE A LOCKABLE SWITCH COVER.