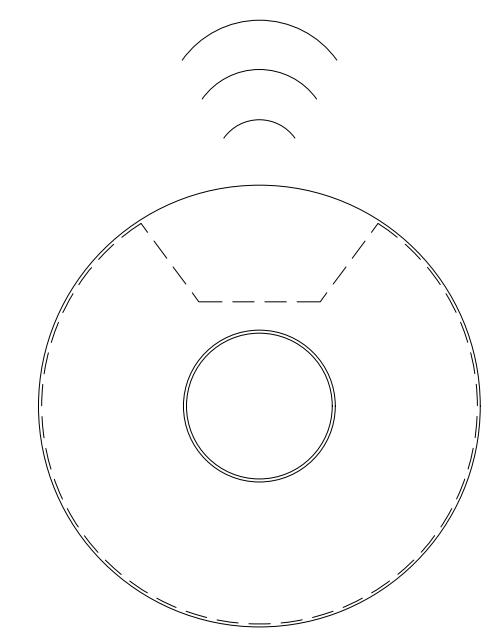
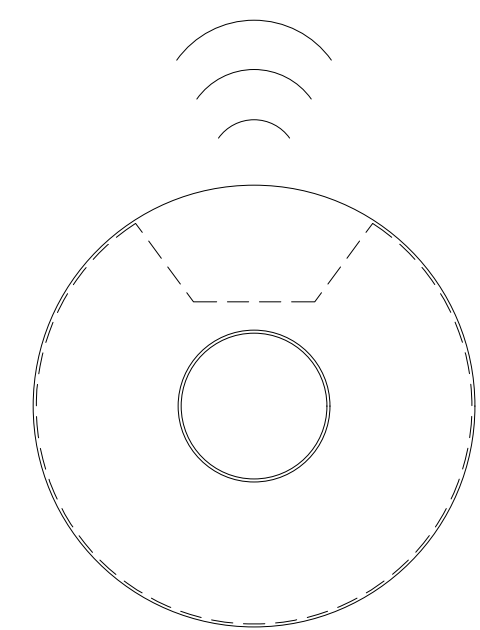


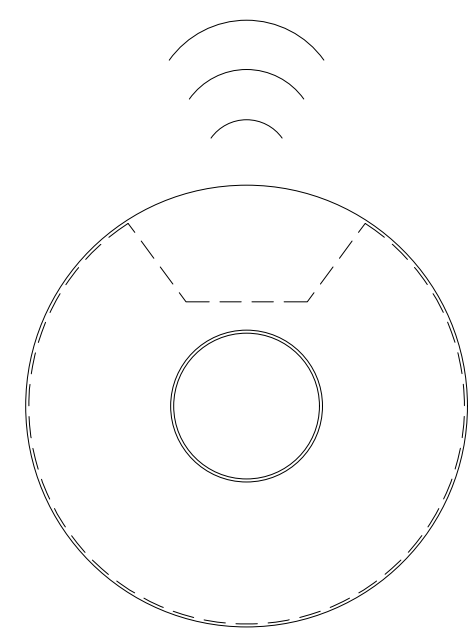
nLIGHT AIR: CORRIDOR/STAIRWELL- POWERPACKS W/ BATTERY SENSORS



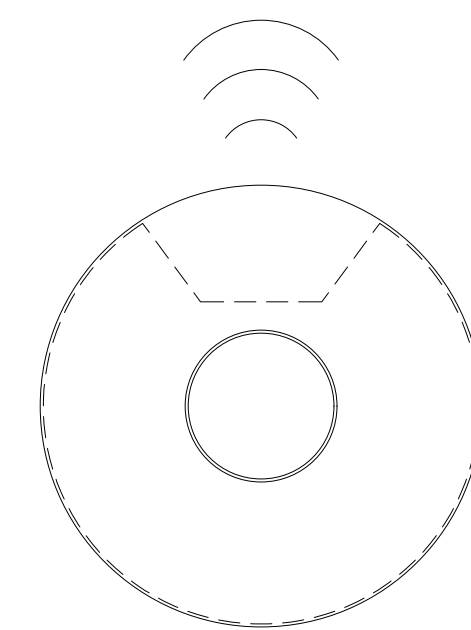
rCMSB 7 G2



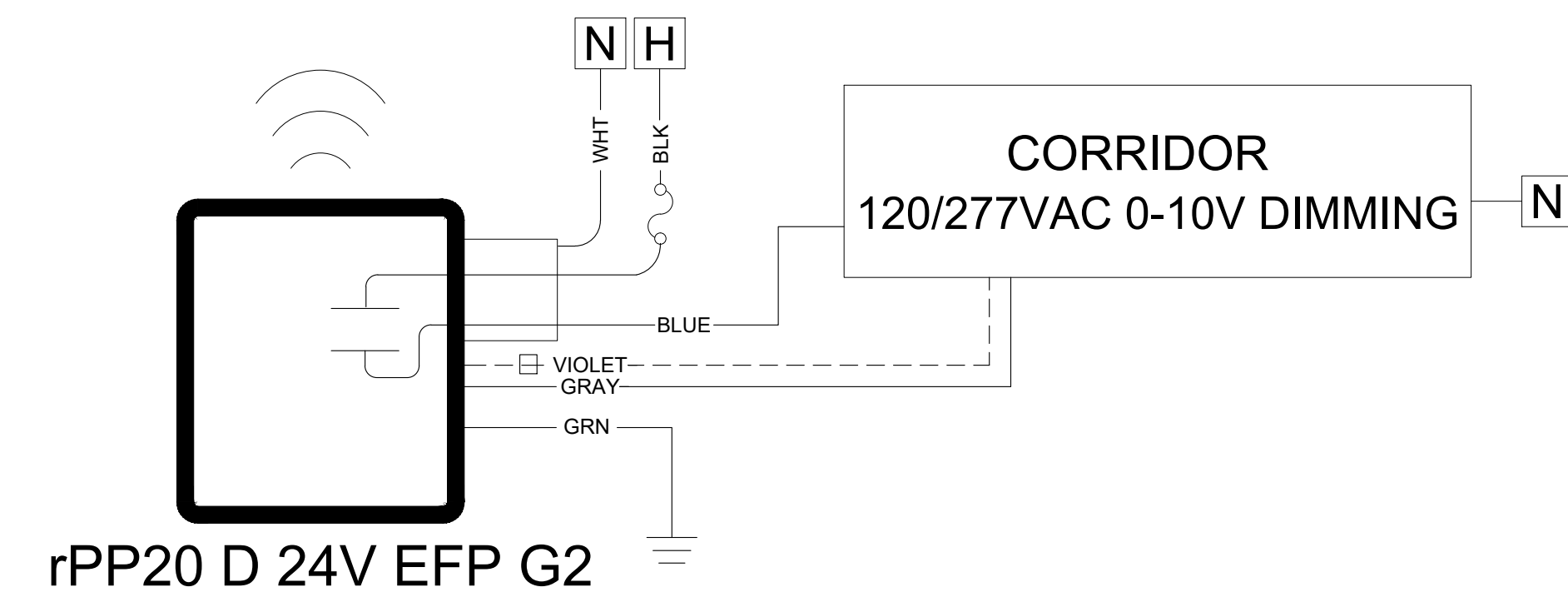
rCMSB 7 G2



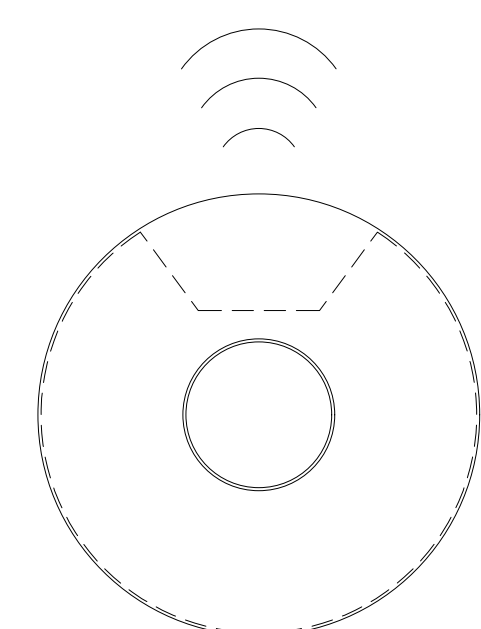
rCMSB 7 G2



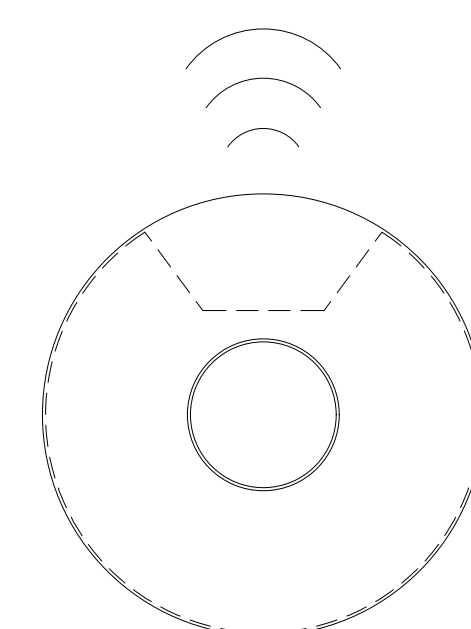
rCMSB 7 G2



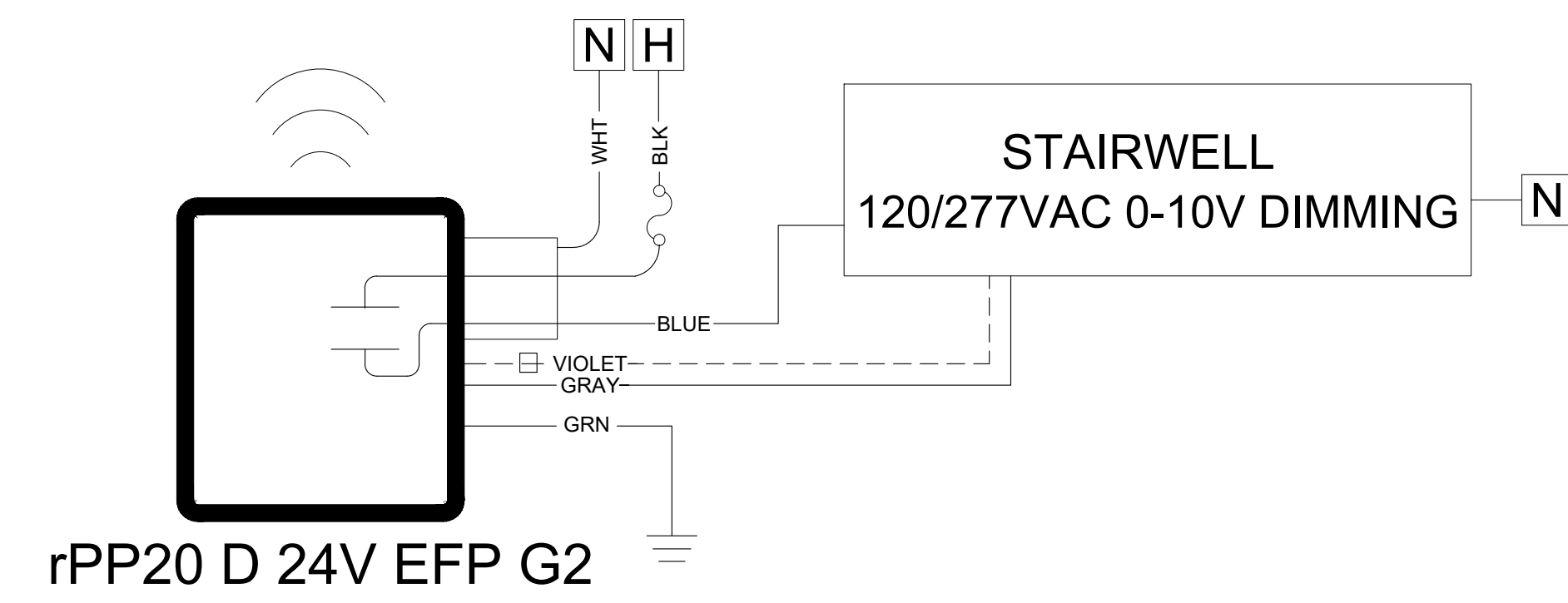
rPP20 D 24V EFP G2



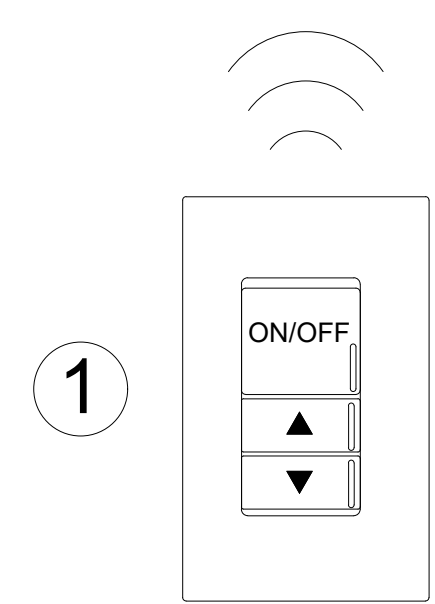
rCMSB 7 G2



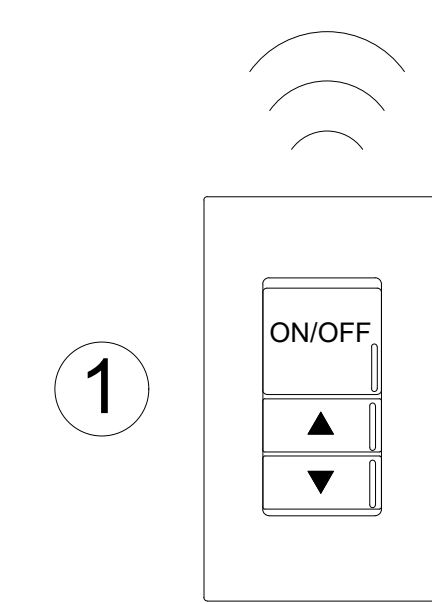
rCMSB 7 G2



rPP20 D 24V EFP G2



rPODU DX WH G2
CORRIDOR



rPODU DX WH G2
STAIRWELL

SEE HILA BASIS OF DESIGN TO COMPLY WITH IECC 2018 SECTION C405

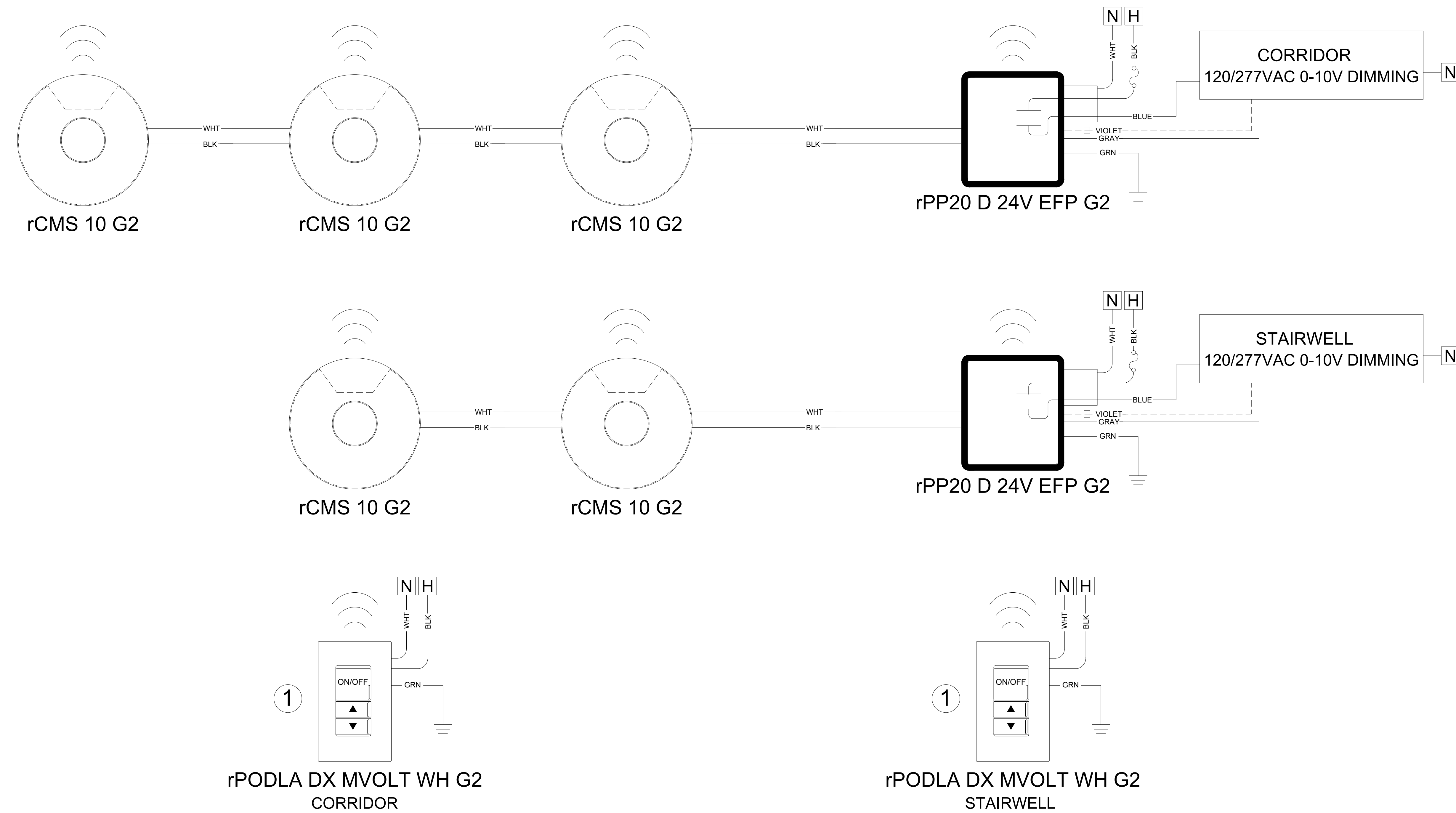
BILL OF MATERIAL

QTY	PRODUCT #	DESCRIPTION
6	rCMS 10 G2	COMBO EXTENDED RANGE 360° SENSOR WITH DAYLIGHTING-CEILING MOUNT, BATTERY POWERED, PIR; WIRELESS COMMUNICATION
2	rPP20 D 24V EFP G2	20 AMP RELAY PACK WITH 0-10V DIMMING AND 24VDC OUTPUT, CHASE NIPPLE MOUNTING; WIRELESS COMMUNICATION
2	rPODU DX WH G2	1 CHANNEL ON/OFF TOGGLE WITH DIMMING, BATTERY POWERED; WIRELESS COMMUNICATION



① TO PREVENT ACCESS BY UNAUTHORIZED PERSONNEL, USE A LOCKABLE SWITCH COVER.

nLIGHT AIR: CORRIDOR/STAIRWELL- POWERPACKS W/ 24VDC SENSORS



SEE HILA BASIS OF DESIGN TO COMPLY WITH IECC 2018 SECTION C405

BILL OF MATERIAL		
QTY	PRODUCT #	DESCRIPTION
5	rCMS 10 G2	COMBO EXTENDED RANGE 360° SENSOR WITH DAYLIGHTING-CEILING MOUNT, LOW VOLTAGE, PIR, WIRELESS COMMUNICATION
2	rPP20 D 24V EFP G2	20 AMP RELAY PACK WITH 0-10V DIMMING AND 24VDC OUTPUT, CHASE NIPPLE MOUNTING; WIRELESS COMMUNICATION
2	rPODLA DX MVOLT WH G2	1 CHANNEL ON/OFF TOGGLE WITH DIMMING, LINE POWERED; WIRELESS COMMUNICATION



① TO PREVENT ACCESS BY UNAUTHORIZED PERSONNEL, USE A LOCKABLE SWITCH COVER.