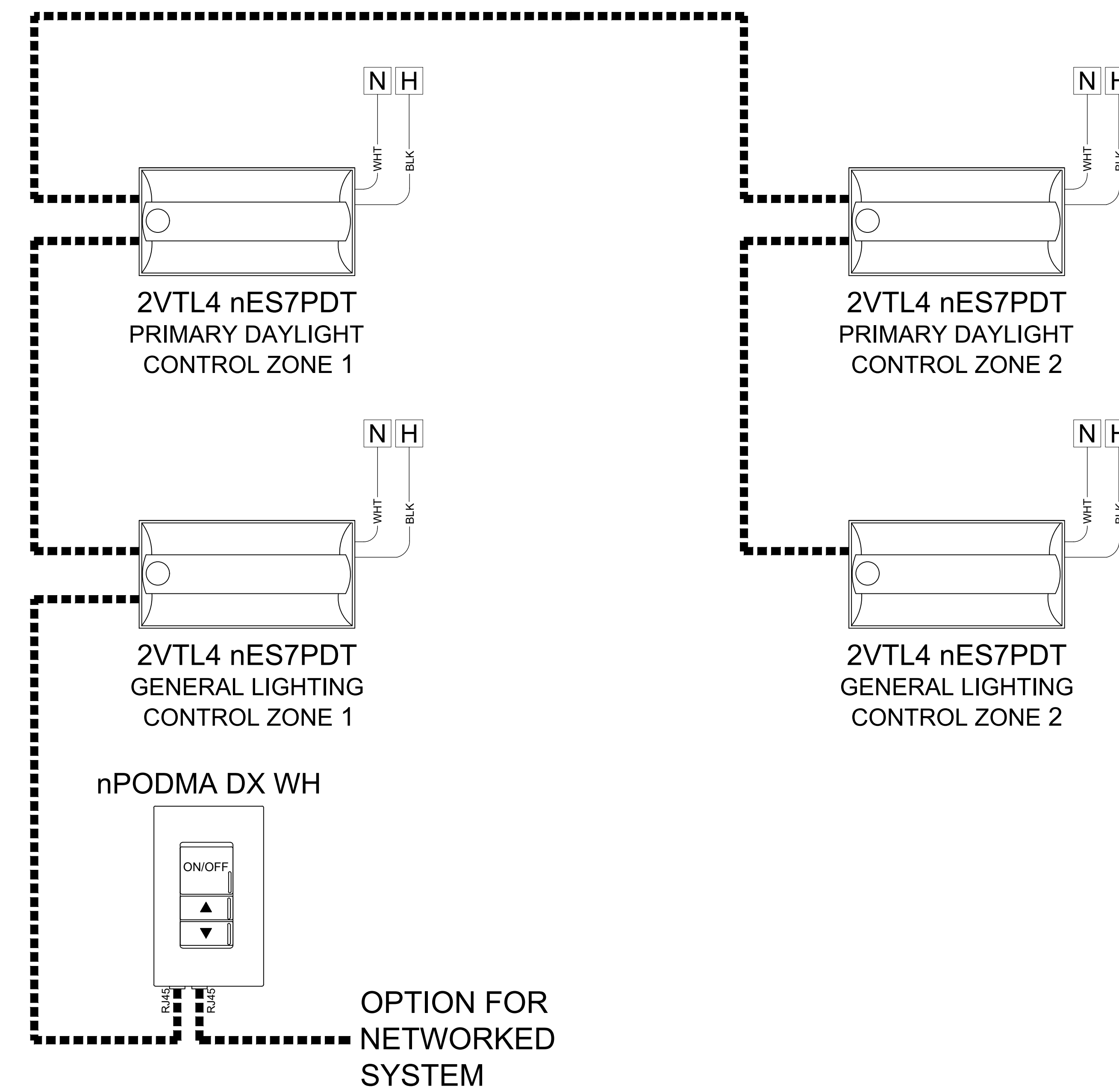


# nLIGHT: OPEN OFFICE - nLIGHT ENABLED FIXTURES



SEE HILA BASIS OF DESIGN TO COMPLY WITH IECC 2018 SECTION C405

## BILL OF MATERIAL

QTY	PRODUCT #	DESCRIPTION
TBD	2VTL4 xxL ADPT EZ1 LPxxx N100 NES7PDT	INTEGRAL FIXTURE EMBEDDED COMBO STANDARD RANGE 360° SENSOR WITH DAYLIGHTING, DUAL TECHNOLOGY (PDT)
1	nPODMA DX WH	SINGLE CHANNEL ON/OFF TOGGLE WITH DIMMING

