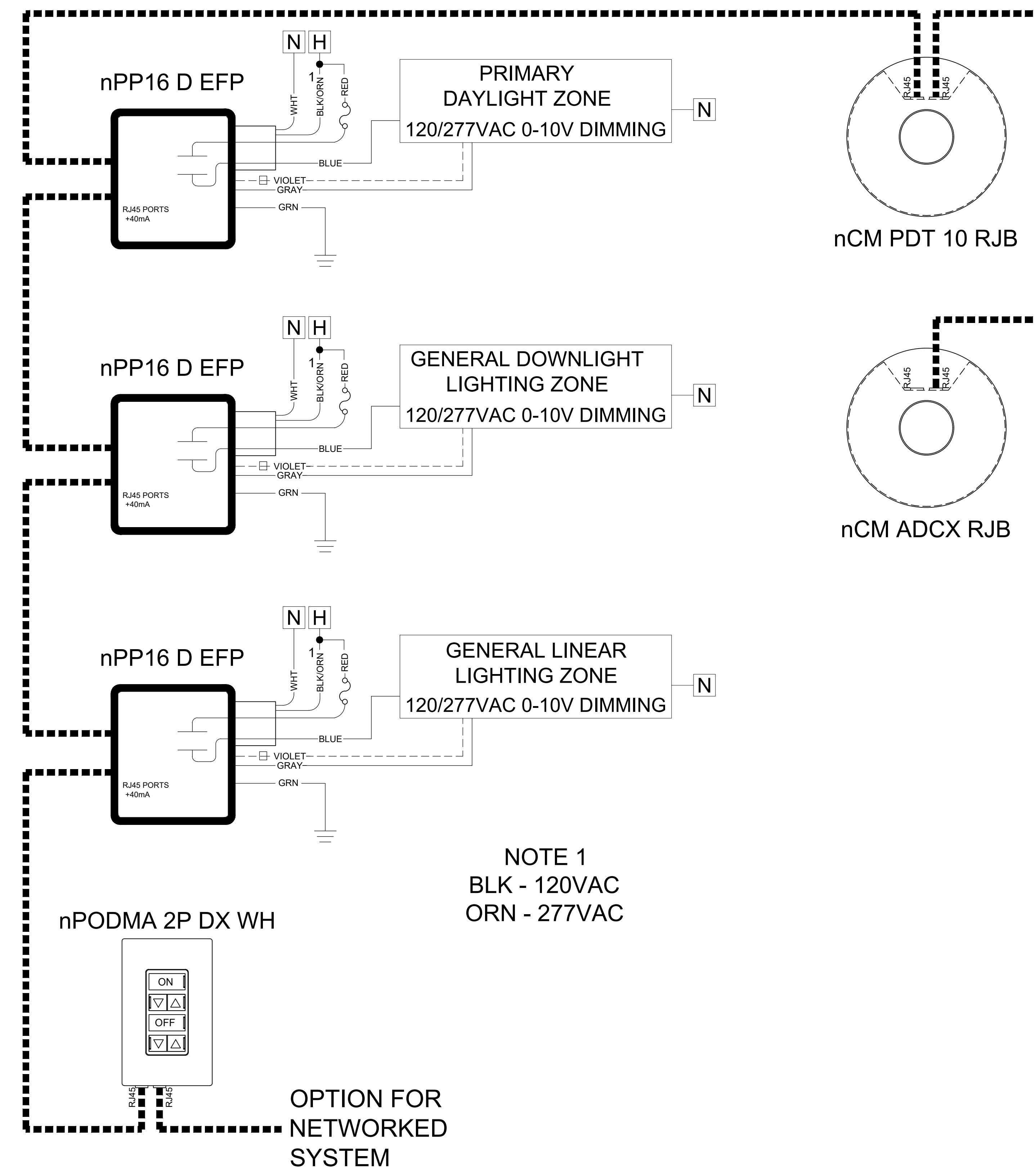


nLIGHT: CONFERENCE - POWERPACKS



SEE HILA BASIS OF DESIGN TO COMPLY WITH IECC 2018 SECTION C405

BILL OF MATERIAL

QTY	PRODUCT #	DESCRIPTION
1	nPODMA 2P DX WH	2 CHANNEL ON/OFF TOGGLE WITH DIMMING
3	nPP16 D EFP	16 AMP RELAY PACK WITH 0-10V DIMMING CONTROL, CHASE NIPPLE MOUNTING
1	nCM ADCX RJB	AUTOMATIC DIMMING CONTROL PHOTOCELL- CEILING MOUNT, LOW VOLTAGE
1	nCM PDT 10 RJB	EXTENDED RANGE 360° SENSOR-CEILING MOUNT, LOW VOLTAGE, PASSIVE DUAL TECHNOLOGY (PDT)

