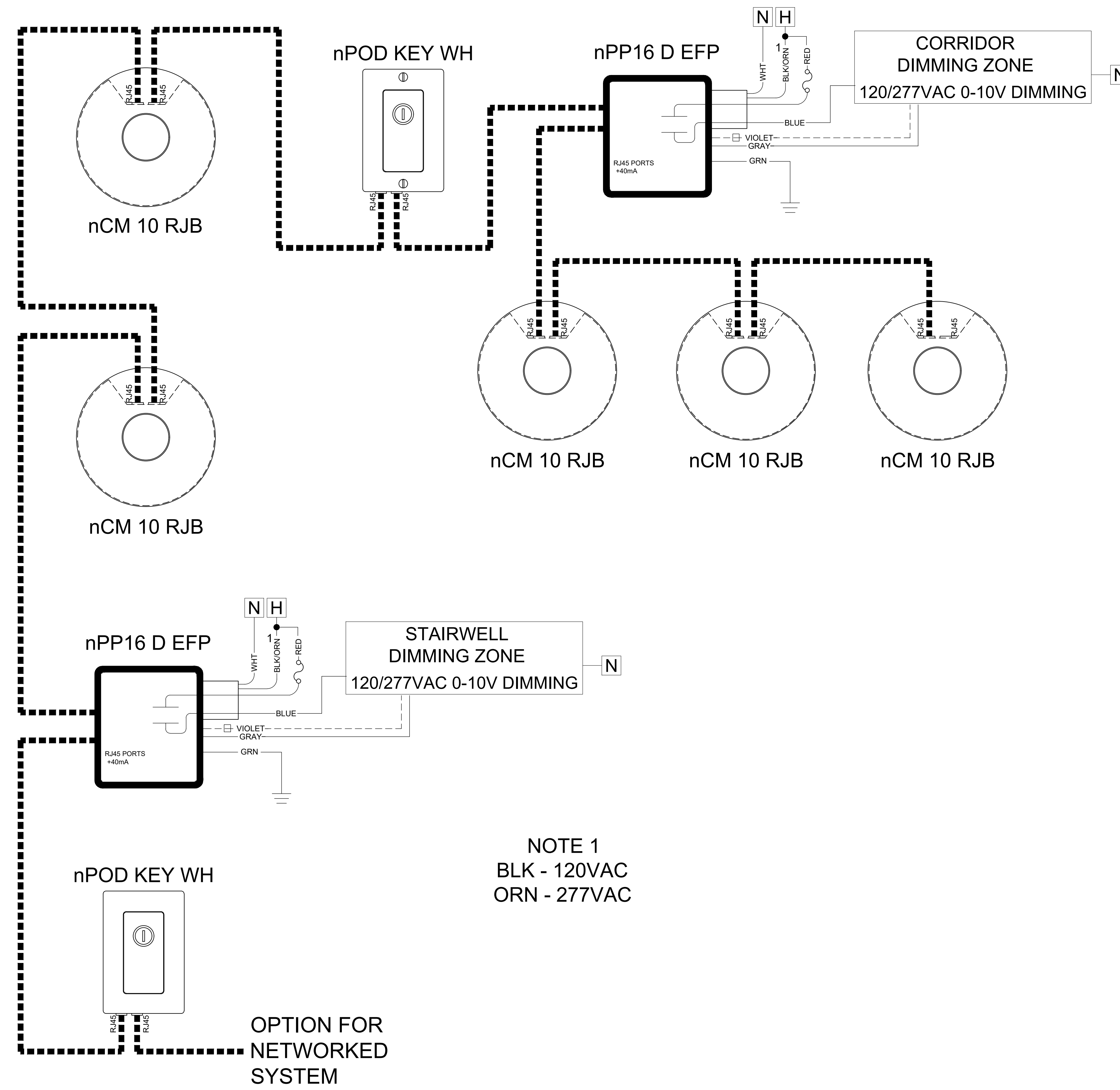


nLIGHT: CORRIDOR/STAIRWELL - POWERPACKS



SEE HILA BASIS OF DESIGN TO COMPLY WITH IECC 2018 SECTION C405

BILL OF MATERIAL

QTY	PRODUCT #	DESCRIPTION
2	nPOD KEY WH	1 CHANNEL ON/OFF DIGITAL KEY SWITCH WITH DIMMING
2	nPP16 D EFP	16 AMP RELAY PACK WITH 0-10V DIMMING CONTROL; CHASE NIPPLE MOUNTING
5	nCM 10 RJB	OCCUPANCY SENSOR, LOW VOLTAGE WIDE VIEW

