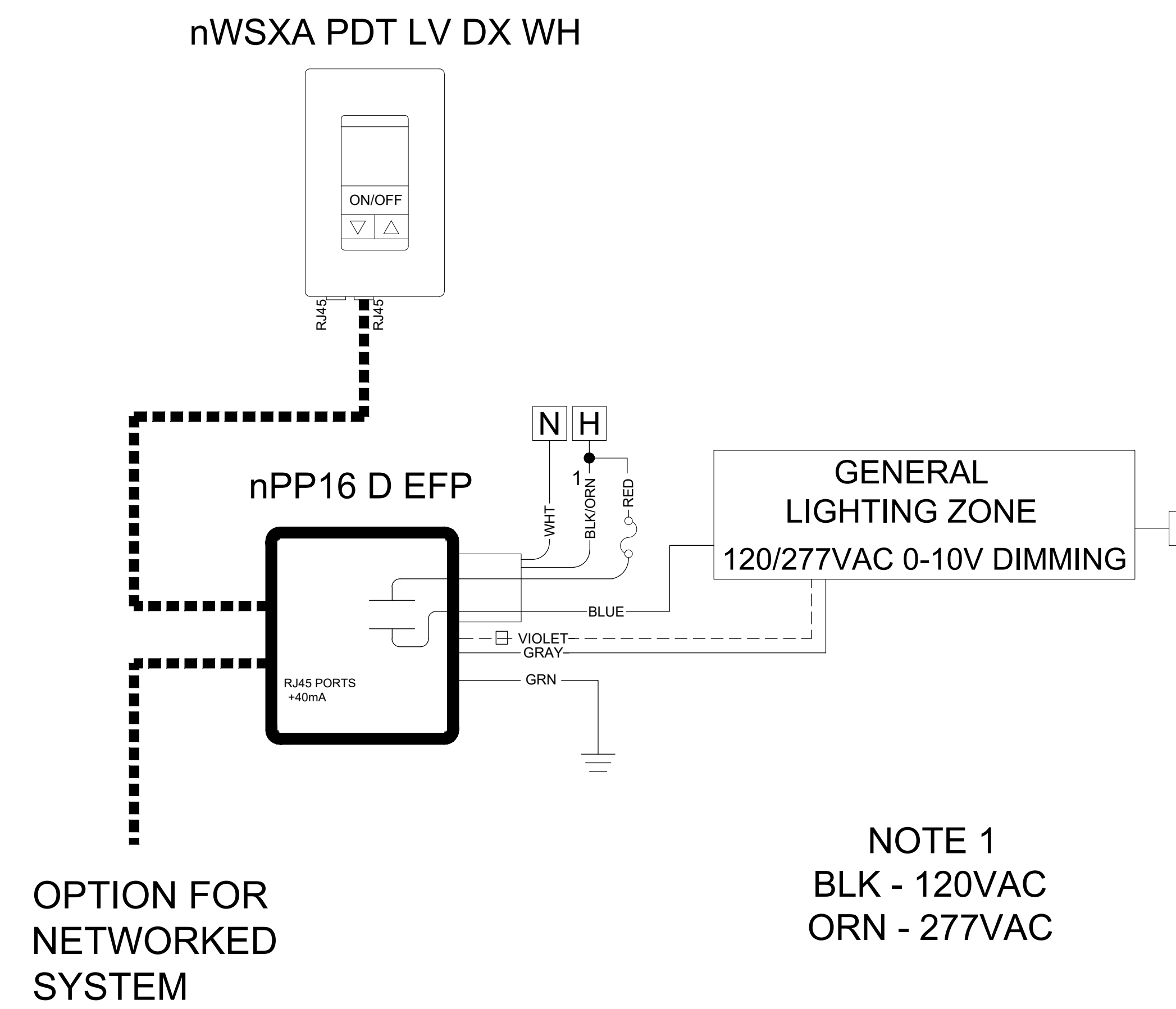


nLIGHT: SMALL OFFICE - POWERPACKS



SEE HILA BASIS OF DESIGN TO COMPLY WITH IECC 2018 SECTION C405

BILL OF MATERIAL		
QTY	PRODUCT #	DESCRIPTION
1	nWSXA PDT LV DX WH	WALL SWITCH DECORATOR OCCUPANCY SENSOR, PASSIVE DUAL TECHNOLOGY (PDT), LOW VOLTAGE, ON / OFF / RAISE / LOWER CONTROL
1	nPP16 D EFP	16 AMP RELAY PACK WITH 0-10V DIMMING CONTROL, CHASE NIPPLE MOUNTING

