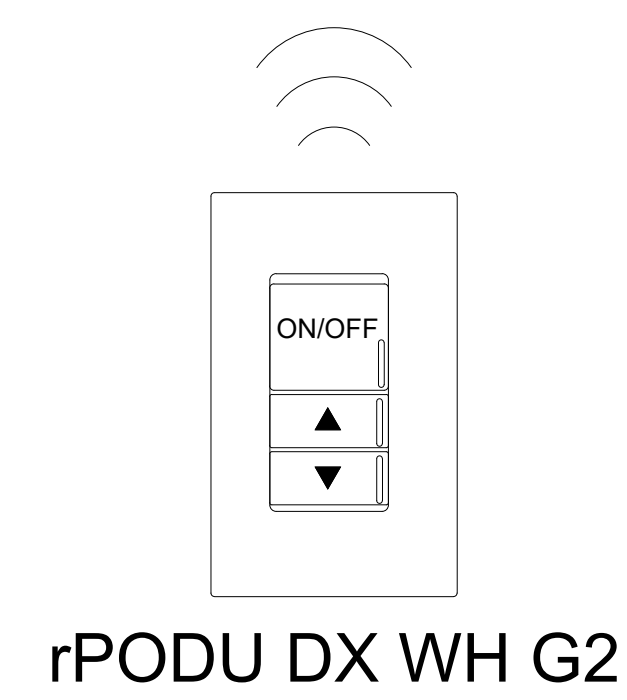
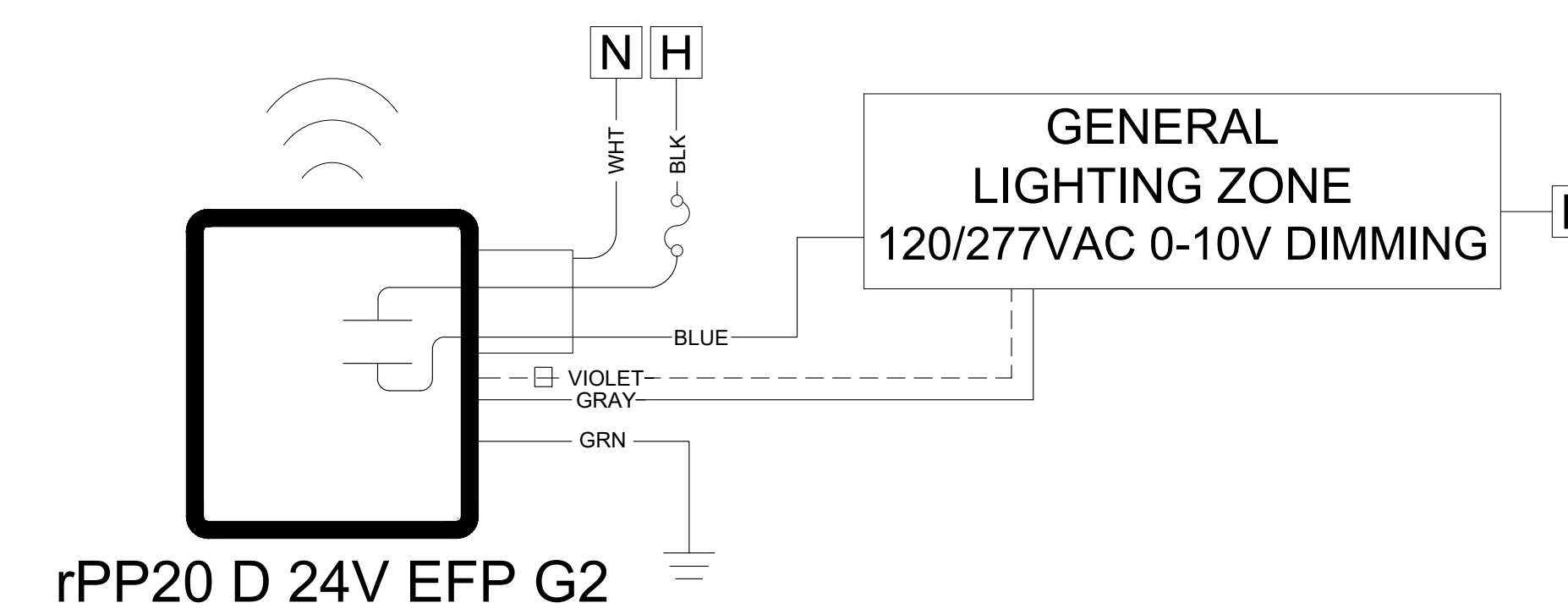
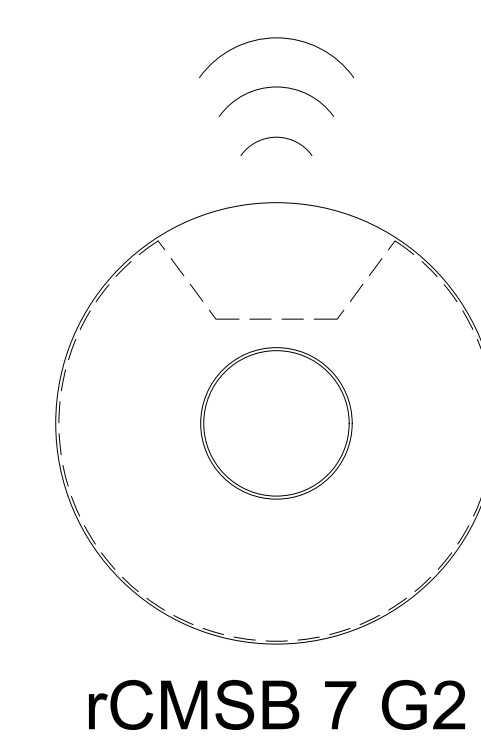
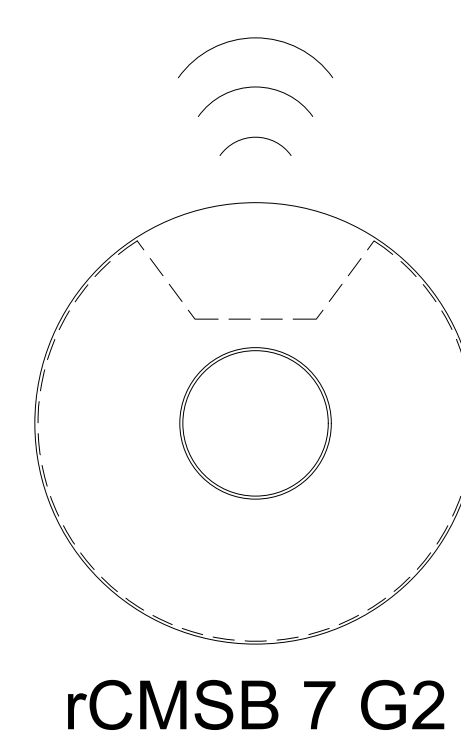
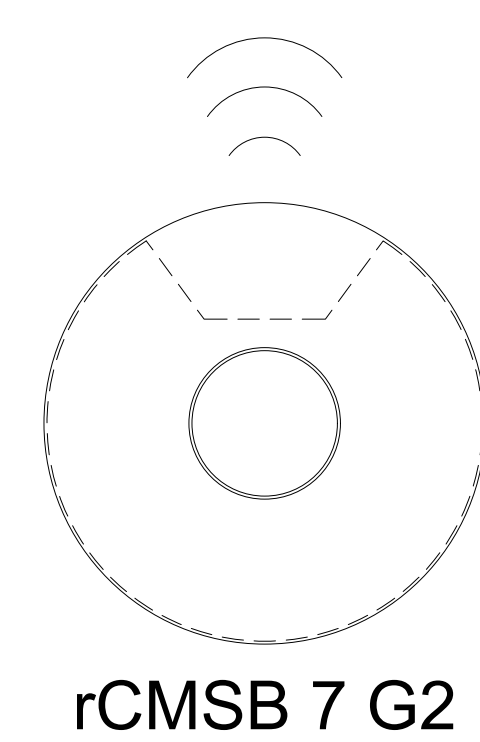
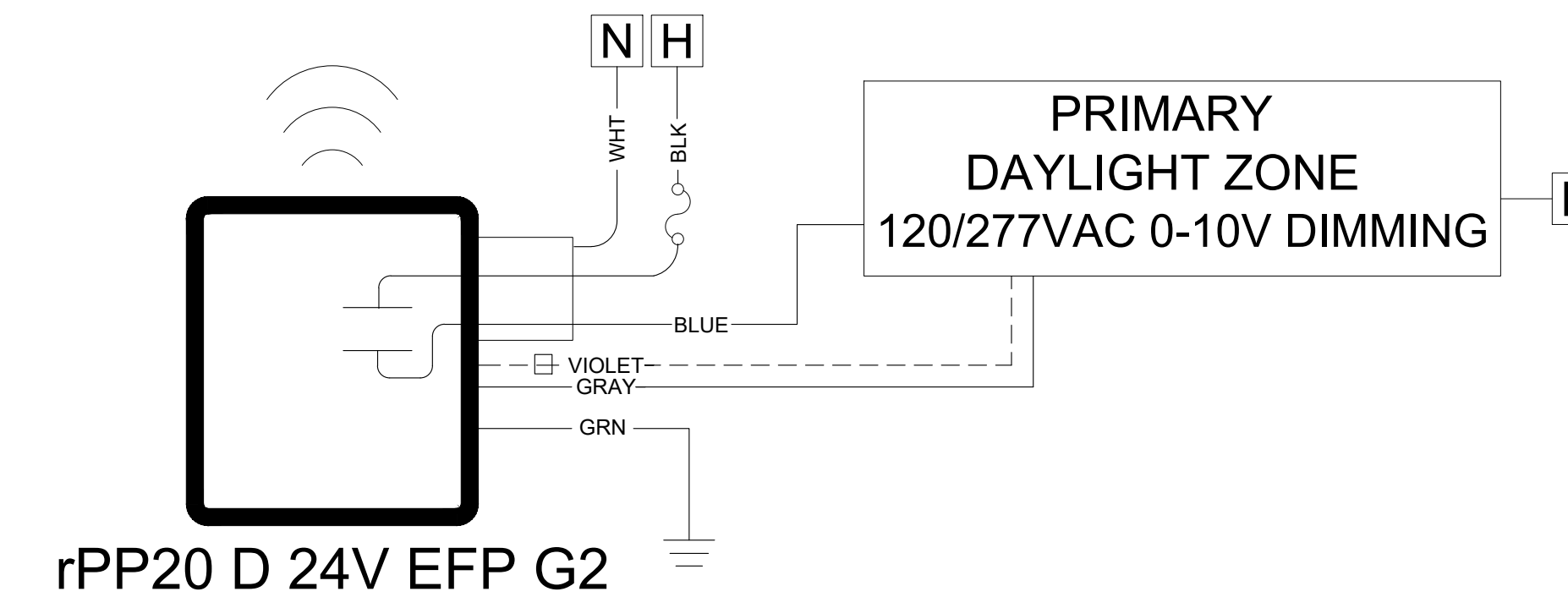
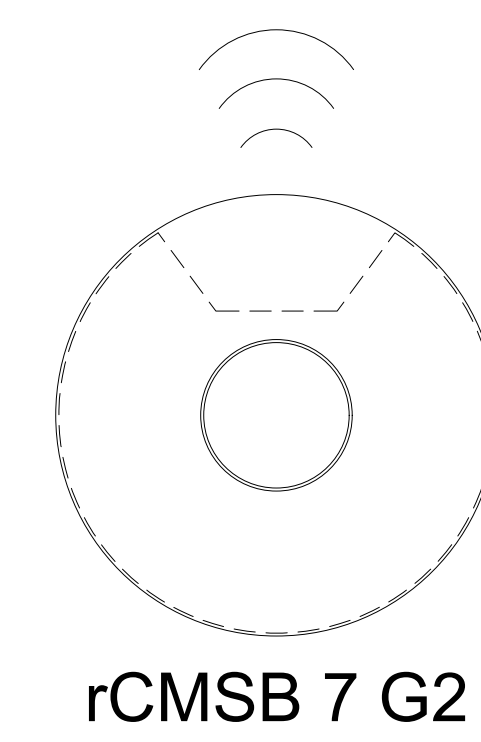
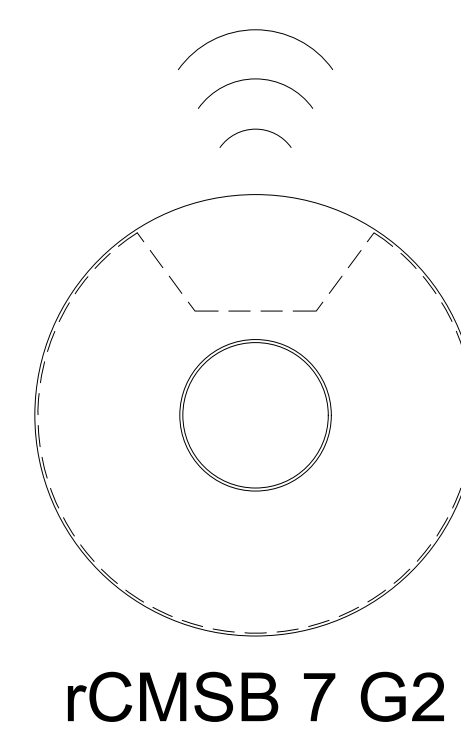
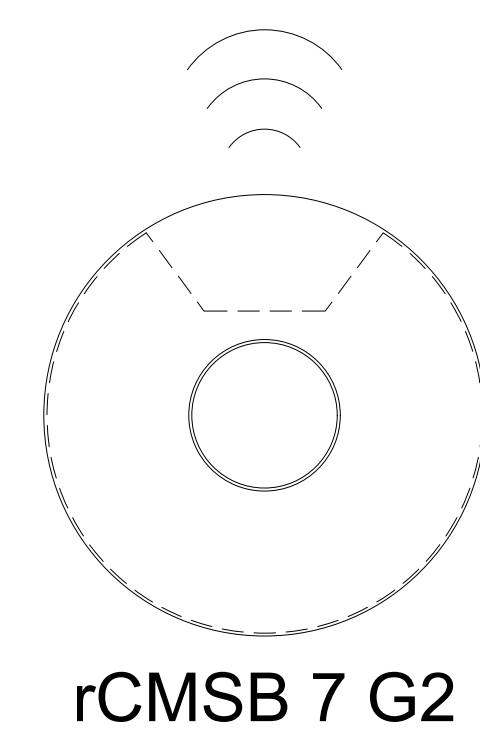


# nLIGHT AIR: LAB - POWERPACKS W/ BATTERY SENSORS



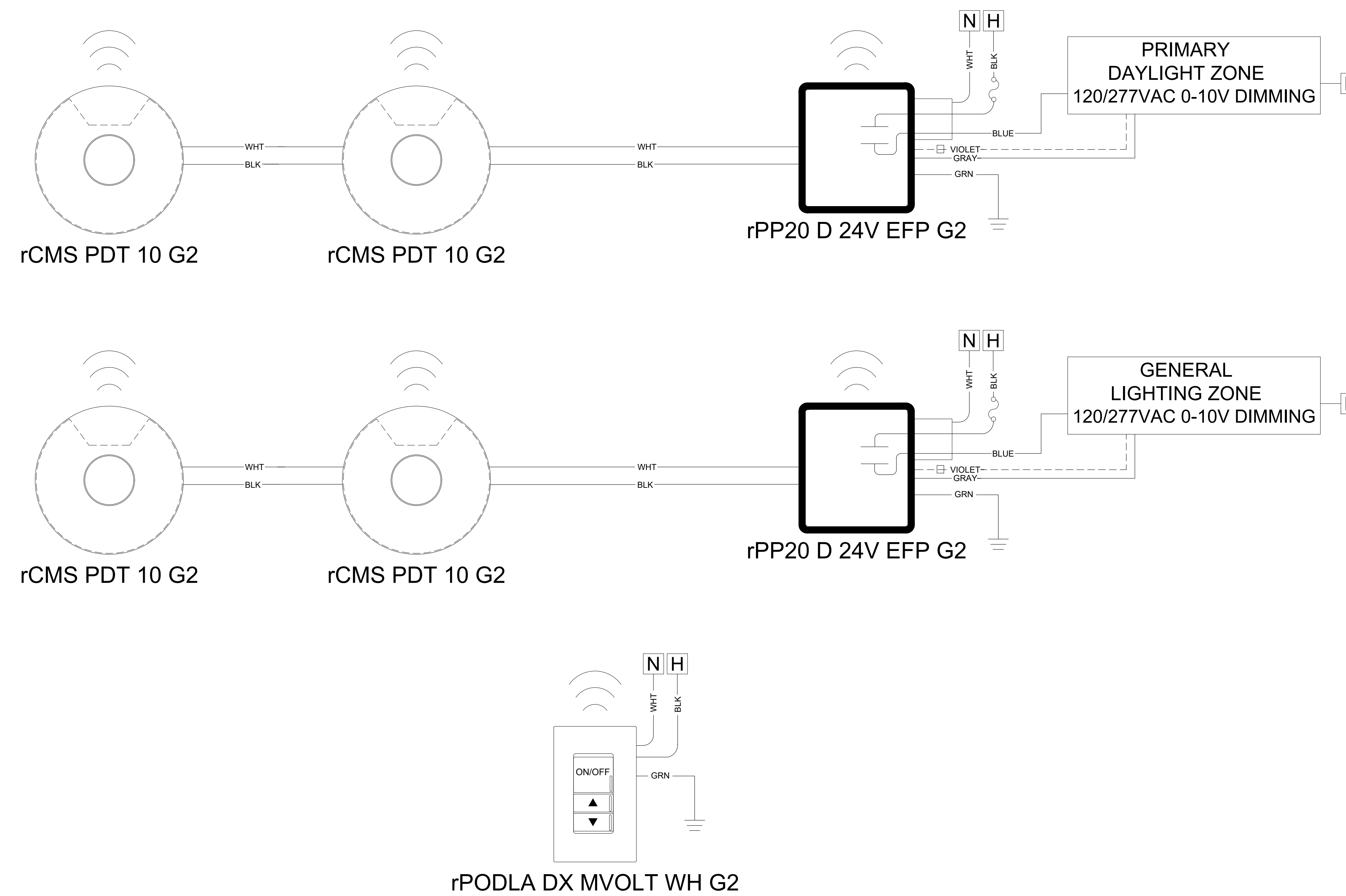
SEE HILA BASIS OF DESIGN TO COMPLY WITH IECC 2018 SECTION C405

BILL OF MATERIAL		
QTY	PRODUCT #	DESCRIPTION
6	rCMSB 7 G2	COMBO EXTENDED RANGE 360° SENSOR WITH DAYLIGHTING-CEILING MOUNT, BATTERY POWERED, PIR, WIRELESS COMMUNICATION
2	rPP20 D 24V EFP G2	20 AMP RELAY PACK WITH 0-10V DIMMING AND 24VDC OUTPUT, CHASE NIPPLE MOUNTING; WIRELESS COMMUNICATION
1	rPODU DX WH G2	1 CHANNEL ON/OFF TOGGLE WITH DIMMING, BATTERY POWERED; WIRELESS COMMUNICATION

SEE FLOORPLANS FOR QUANTITY OF FIXTURES AND nLIGHT COMPONENTS REQUIRED.



# nLIGHT AIR: LAB - POWERPACKS W/ 24VDC SENSORS



SEE HILA BASIS OF DESIGN TO COMPLY WITH IECC 2018 SECTION C405

BILL OF MATERIAL		
QTY	PRODUCT #	DESCRIPTION
4	rCMS PDT 10 G2	COMBO EXTENDED RANGE 360° SENSOR WITH DAYLIGHTING-CEILING MOUNT, LOW VOLTAGE, DUAL TECHNOLOGY (PDT); WIRELESS COMMUNICATION
2	rPP20 D 24V EFP G2	20 AMP RELAY PACK WITH 0-10V DIMMING AND 24VDC OUTPUT, CHASE NIPPLE MOUNTING; WIRELESS COMMUNICATION
1	rPODLA DX MVOLT WH G2	1 CHANNEL ON/OFF TOGGLE WITH DIMMING, LINE POWERED; WIRELESS COMMUNICATION

SEE FLOORPLANS FOR QUANTITY OF FIXTURES AND nLIGHT COMPONENTS REQUIRED.

