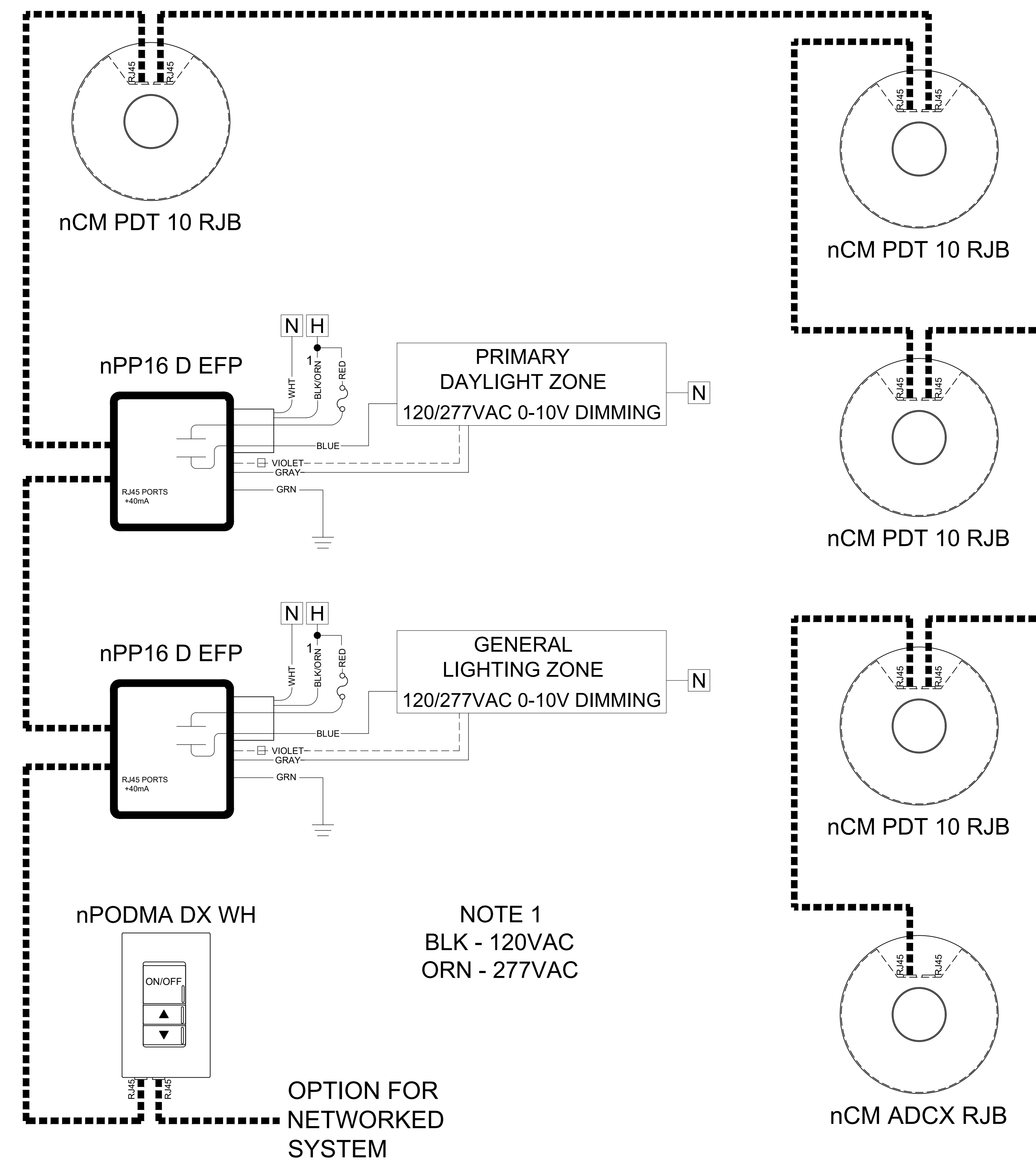


# nLIGHT: LAB - POWERPACKS



SEE HILA BASIS OF DESIGN TO COMPLY WITH IECC 2018 SECTION C405

## BILL OF MATERIAL

QTY	PRODUCT #	DESCRIPTION
1	nPODMA DX WH	SINGLE CHANNEL ON/OFF TOGGLE WITH DIMMING
2	nPP16 D EFP	16 AMP RELAY PACK WITH 0-10V DIMMING CONTROL, CHASE NIPPLE MOUNTING
1	nCM ADCX RJB	AUTOMATIC DIMMING CONTROL PHOTOCELL, CEILING MOUNT, LOW VOLTAGE
4	nCM PDT 10 RJB	EXTENDED RANGE 360° SENSOR-CEILING MOUNT, LOW VOLTAGE, PASSIVE DUAL TECHNOLOGY (PDT)

SEE FLOORPLANS FOR QUANTITY OF FIXTURES AND nLIGHT COMPONENTS REQUIRED.

